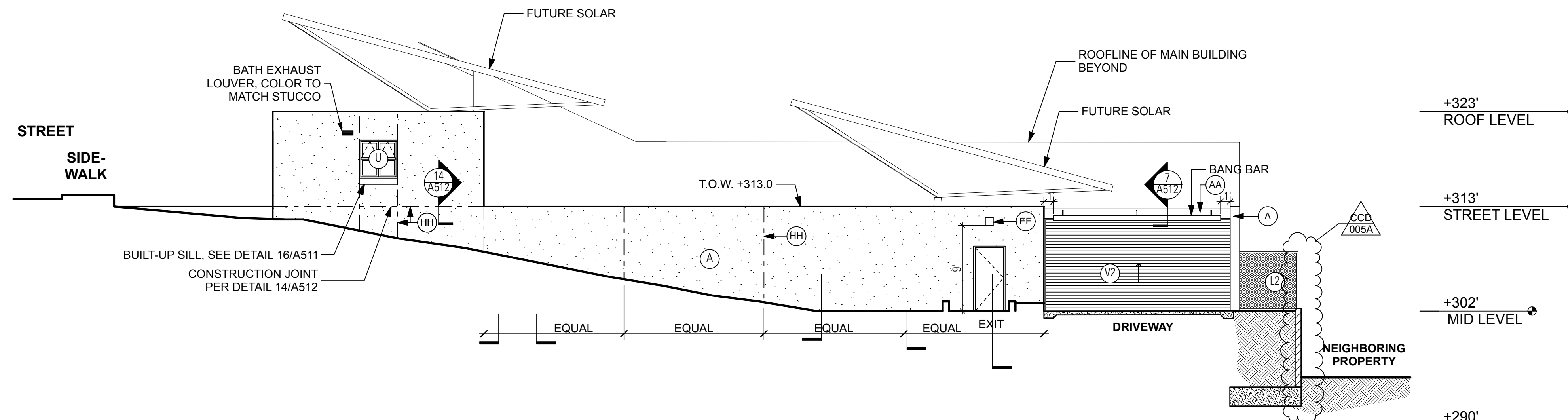
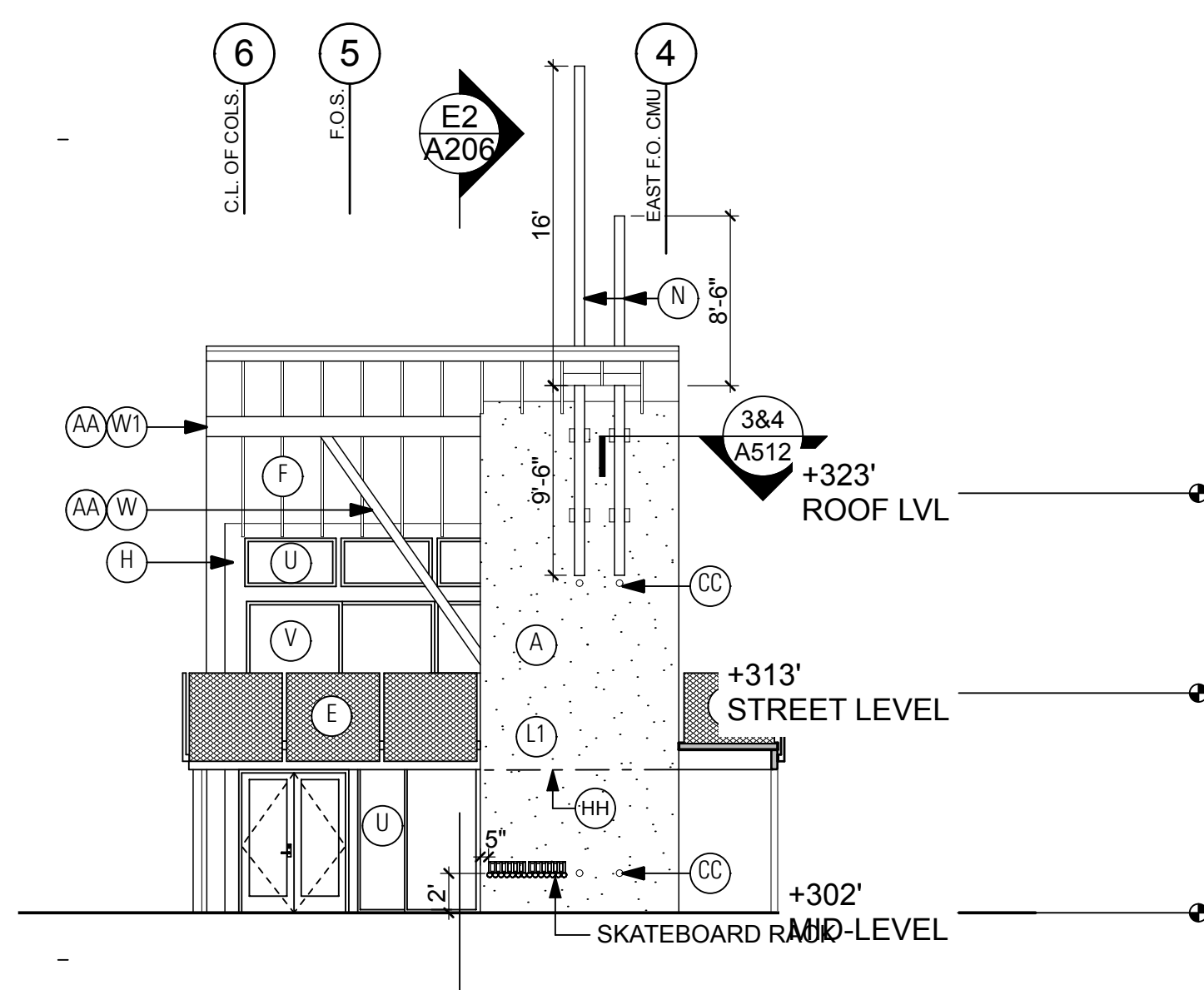


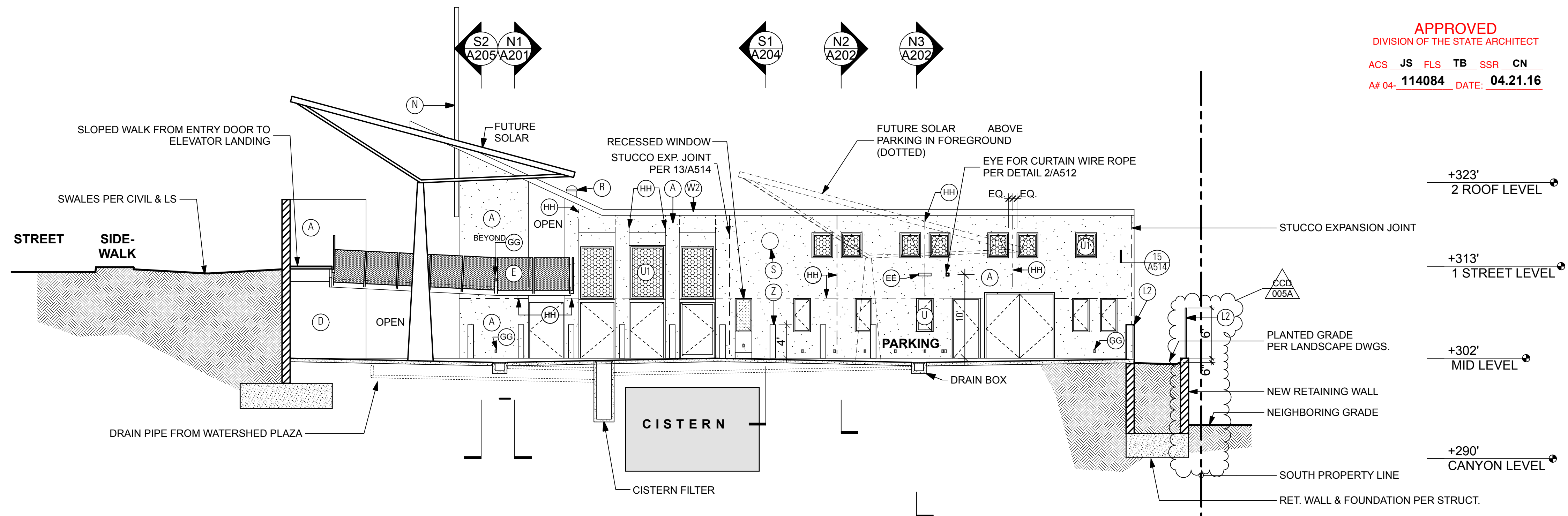
N4 NORTH ELEVATION - PARTIAL 1/8" = 1'-0"



WEST ELEVATION 1/8" = 1'-0"



N5 NORTH ELEVATION - PARTIAL 1/8" = 1'-0"



W1 SECTION VIEWED FROM WEST 1/8" = 1'-0"

(A) STUCCO:	LIGHT DASH FINISH PAINT: DUNN EDWARDS DEA 116 "FLASH OF ORANGE"	(E1) GUARDRAIL:	DETAIL AS NOTED. PAINT: DUNN EDWARDS DE6385 BLACK BEAN	(L2) CHAIN FENCE:	CHAIN LINK PER LANDSCAPE DETAILS 2&3/L1.11	(U1) WINDOW:	METAL CLAD, NAIL ON FIN. COLOR: BRONZE OKALUX GLASS. SEE WINDOW SCHEDULE	(AA) EXPOSED STRUCTURE:	PER STRUCTURAL. @ EXTERIOR GALVANIZED AND PAINT AS NOTED IN ELEVATIONS/DETAILS
(A1) STUCCO:	LIGHT DASH FINISH PAINT: DE6385 BLACK BEAN	(E2) HANDRAIL:	DETAIL AS NOTED. PAINT: DE6385 BLACK BEAN	(M) TRELLIS:	DETAILS AS NOTED. PAINT: DUNN EDWARDS DEA111 BURNING TOMATO	(U2) WINDOW:	METAL CLAD, NAIL ON FIN. COLOR: BRONZE OBSCURE GLASS. SEE WINDOW SCHEDULE	(BB) CONCRETE BENCH:	CAST CONCRETE - TROWELED FINISH PER SPECS
(B) CONCRETE:	VERTICAL BOARD FORM ON EXTERIOR W/ CLEAR MATTE GRAFFITTI COATING SHOTCRETE ON INTERIOR W/ HEAVY TEXTURE. CLEAR, MATTE SEALER GRAFFITTI COATING	(F) ROOF FRAMING:	EXPOSED ROOF JOISTS & SHEATHING STAIN: SHERWIN WILLIAMS SW7103 WHITETAIL	(N) MAST:	6" DIA. STEEL POSTS. GALVANIZED FINISH FOR FUTURE WEATHER STATION	(V) SLIDING GLASS DOOR:	SEE DOOR SCHEDULE	(CC) TUBE OUTLET COVER:	
(C) STONE:	RIVERROCK STONE VENEER. SEE 14/A501	(G) ASPHALT SHINGLES:	COLOR: DARK GREY	(O) CERAMIC TILE:	DONOR'S TILES	(V1) GATE:	SEE DOOR SCHEDULE	(DD) WINDOW LIGHT SHELF:	SEE DETAIL 1&5/A512 GALVANIZED FINISH
(D) CMU:	FLUSH JOINTS, PRIMED PAINTED	(H) METAL SIDING:	SHEET METAL. PAINT TO MATCH WINDOW FINISH. SEE 11/A501 TYP.	(P) WIRE PARTITION SYSTEM:	INSTALL PER MANUF. & 3/A513. FINISH: STL-GALV	(W) TRIM PAINT RED:	PAINT: DUNN EDWARDS DEA111 BURNING TOMATO	(EE) LIGHTING:	SEE ELECTRICAL PLANS
(D1) CMU:	RAKED JOINTS. SEALED	(J) GUTTER:	DETAILS AS NOTED. PAINTED TO MATCH STUCCO	(R) TUBE SKYLIGHT:	SOLATUBE. SEE WINDOW SCHEDULE	(W1) TRIM PAINT DARK:	PAINT: DUNN EDWARDS DE6385 BLACK BEAN	(FF) CORNER GUARD:	SEE DETAIL 15/A510
(D2) CMU:	CONCAVE JOINT. UNFINISHED	(K) DOWNSPOUT:	DETAILS AS NOTED. FINISH: STL-PNT-1	(R1) SKYLIGHT:	KALWALL. SEE WINDOW SCHEDULE	(W2) TRIM PAINT TO MATCH STUCCO:		(GG) ELECTRICAL:	SEE ELECTRICAL PLANS
(E) GUARDRAIL:	METAL FRAME W/ EXPANDED METAL LATH INFILL. SEE 3/A503, TYP. & AS NOTED. ENTIRE RAIL TO BE GALVANIZED	(L1) FENCE:	1" DIA GALV FENCE, DETAIL AS NOTED. FINISH: STL-GALV	(S) MECHANICAL:	SEE MECHANICAL PLANS	(X) SHADE CLOTH:	FUTURE	(HH) STUCCO EXPANSION JOINT:	SEE ARCHITECTURAL DETAILS
				(S1) MECHANICAL FINISH TO MATCH WINDOWS	SEE MECHANICAL PLANS	(Y) COLUMNS:	4" DIA. PER STRUCT. PAINT: DUNN EDWARDS DE6385 BLACK BEAN		
				(T) SIGNAGE:	12" TALL LETTERS. PAINTED ALUMINUM	(Z) BOLLARDS:	6" DIA. SEE DETAIL 13/A510 & 7/A515 GALVANIZED FINISH		
				(U) WINDOW:	METAL CLAD, NAIL ON FIN. COLOR: BRONZE SEE WINDOW SCHEDULE				

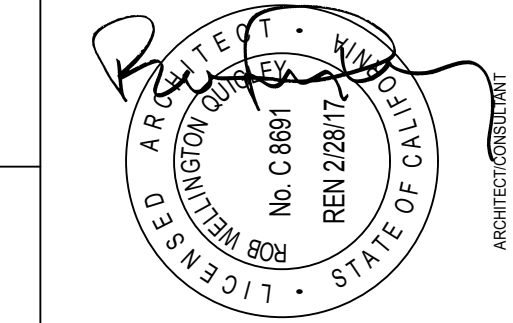
ELEVATIONS & SECTIONS NOTES

Elevations & Sections

EXECUTIVE DIRECTOR PFC	DATE
DIRECTOR PFC	DATE
DIRECTOR PROJECT MANAGEMENT PFC	DATE
DISTRICT ARCHITECT	DATE

IDENTIFICATION STAMP
DIV. OF THE STATE ARCHITECT
OFFICE OF REGULATION SERVICES
04 114084
AC _____ FLS _____ SS _____
DATE _____

APPROVED
DIVISION OF THE STATE ARCHITECT
ACS JS FLS TB SSR CN
04: 114084 DATE: 04.21.16



PREPARED FOR THE
BOARD OF EDUCATION
SAN DIEGO UNIFIED SCHOOL DISTRICT
SAN DIEGO, CALIFORNIA

PREPARED BY THE
FACILITIES PLANNING AND CONSTRUCTION
PROJECT MANAGEMENT DEPARTMENT

OCEAN DISCOVERY INSTITUTE
LIVING LAB
4255 THORN STREET
SAN DIEGO, CALIFORNIA

CONSTRUCTION DOCUMENTS

PROJECT NO.	R.S.	A.P.
FILE NAME	DATE	4/13/16
REVISIONS	CD-005A 4.13.2016-	SHEET NO.
		A-203
		OF SHEETS